

# Product Specifications

## SM94 Cardioid Condenser Microphone

### Overview

The SM94 is a rugged, versatile flat-response cardioid condenser microphone, designed with a frequency response free of either presence peaks or low-end rolloffs, for use with live amplified and acoustic instruments. Additionally, the SM94 can be powered from one AA battery or phantom power, for remote recording applications and environmental conditions.

### Features

- A sensitive mic with a wide, flat response ideal for live amplified and acoustic instruments.
- Extremely well-suited for reproduction of stringed instruments, woodwinds and cymbals
- AA battery or phantom power
- Internal shock mount
- Wide dynamic range
- Smooth, flat frequency response
- Uniform Cardioid condenser
- Frequency response: 40 to 16,000 Hz

### Available Models

<b>SM94</b>	Includes Stand Adapter and Zippered Pouch
-------------	---

### Specifications

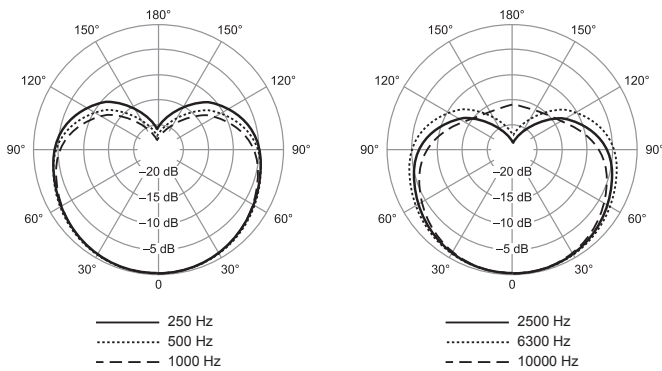
Type	Condenser
Frequency Response	40 to 16,000 Hz
Polar Pattern	Cardioid
Sensitivity (at 1,000 Hz)	Open Circuit Voltage: -49 dBV/Pa (3.5 mV) (phantom) -50 dBV/Pa (3.2 mV) (battery) (1 Pa = 94dB SPL)
Impedance	Rated at 150 Ω; 200 Ω actual
Output Clipping Level (1 kHz, 3% THD)	800-Ω Load: -14 dBV (0.63 V) (phantom), 1% THD; -23 dBV (0.71 V) (battery), 3% THD
Total Harmonic Distortion	< 0.25% (130 dB SPL at 250 Hz into 800 Ω load)
Maximum SPL	800 Ω Load: 141 dB (phantom), 123 dB (battery)
Hum Pickup	-3 dB equivalent SPL in a 1 millioersted field (60 Hz)
Output Noise (equivalent sound pressure levels; measured with true rms voltmeter)	22 dB typical, A-weighted 25 dB typical, weighted per DIN 45 505
Dynamic Range	119 dB (phantom); 101 dB (battery) (maximum SPL, 2000-Ω load, to A-weighted noise level)
Signal-to-Noise Ratio	72 dB (IEC 651)* at 94 dB SPL
Overvoltage Protection	Maximum External Voltage Applied to Pins 2 and 3 with respect to Pin 1: +52Vdc Reverse polarity protected to 75 Vdc
Polarity	Positive pressure on diaphragm produces positive voltage on pin 2 relative to pin 3
Power	Supply Voltage: 11 to 52 Vdc, (+) pins 2 and 3 Current Drain: 1.0 to 1.2 mA max. at 52 Vdc
Battery Operation	Type: 1.5 V alkaline, AA size (NEDA 15A) Life: Up to 5,000 hours with fresh battery
Connector	XLR professional audio 3-Pin
Case	Steel and brass construction with gray finish and stainless steel mesh grille
Net Weight	250 grams (8.8 oz) less battery



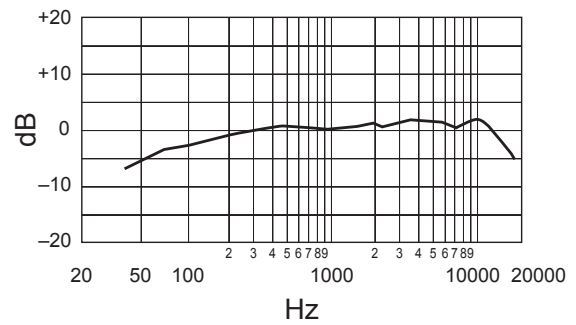
SM94

### Optional Accessories and Replacement Parts

<b>A25D</b>	Microphone Clip	<b>A15AS</b>	Switch-Selectable Attenuator	<b>A53M</b>	Isolation Mount
<b>A3WS</b>	Microphone Windscreen				



Polar Pattern



Frequency Response

**SHURE**<sup>®</sup>  
 LEGENDARY  
 PERFORMANCE™