

**evolution**



## e 825-S General Purpose Microphone

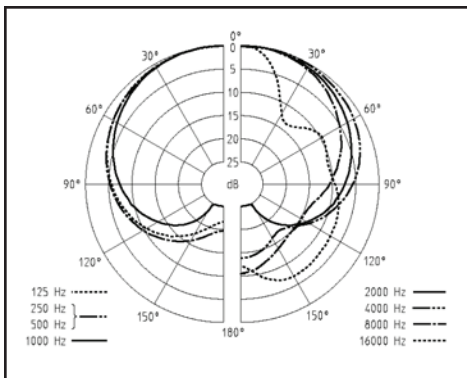
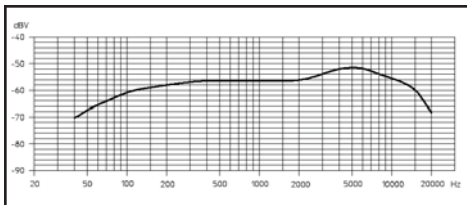
The e 825 S is a cardioid general purpose microphone ideal for vocal and instrument miking and club PA. Sound inlet basket: refined steel.

### Features—Benefits

- Metal construction—rugged and reliable
- Shock-mounted capsule—low sensitivity to impact and handling noise
- Hum compensating coil—reduces electrical interference
- Balanced frequency response
- Neodymium ferrous magnet with boron—keeps mic stable regardless of climate
- Falcon ring—consistent sound over time
- Silent on/off switch
- On/off switch (reed switch) can be locked in the 'on' position if required

### Technical Data

Pick-up pattern	cardioid
Frequency response	80–15,000 Hz
Sensitivity (free field, no load) (1 kHz)	1.5 mV/Pa at 1 kHz, nominal
Nominal impedance	350 Ω
Min. terminating impedance	1 k
Dimensions in inches	1.89 x 7.08
Weight	11.64 oz



### Product Variants

e 825-S, EPACK825S (E 825-S, Stand, Cable), THREEPACK 825S (3x825-S)

### Supplied Accessories

- 1 Protective pouch
- 1 MZQ 800 Microphone clip

### Optional Accessories

21' XLR microphone cable	MC21N
Grey foam windscreen	MZW 4032
Floor stand with boom arm	SEMS 3000

### Architect's Specifications

The unit shall be a cardioid vocal and instrument microphone. It shall operate with a frequency response of 80 Hz–15 kHz. The sensitivity (free field, no load) shall be 1.5 mV/Pa at 1 kHz, with a nominal impedance of 350 Ω. The min. terminating impedance shall be 1 k. The unit shall be 1.89 x 7.08 inches, and weight 11.64 oz. The unit shall be a Sennheiser e825 microphone.