

MD 46



MD 46 Handheld Dynamic ENG/EFP Microphone

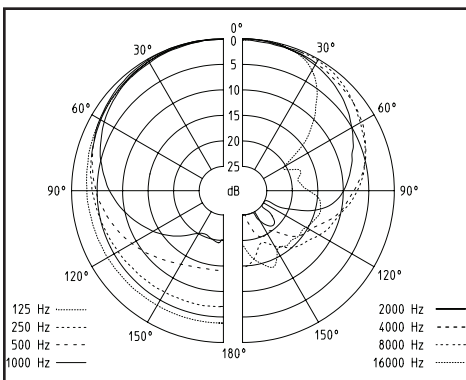
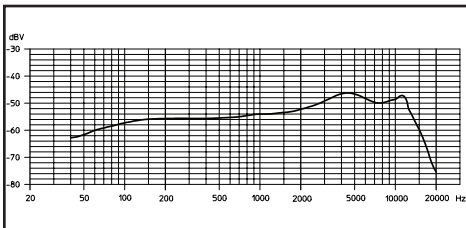
Designed for audio journalists and field reporters, the Sennheiser MD 46 offers a host of advantages. Its extended frequency response provides clarity that exceeds any comparable mic in its class, and its dimensions and weight ratio lend a completely comfortable feel. Add the fact that it's rugged enough to stand the strain of ENG/EFP, and you have a dynamic winner

Features—Benefits

- Rugged all metal body
- Extremely low sensitivity to handling noise
- Very insensitive to pop and wind noise
- Uniform frequency response
- Excellent sound quality
- Integral microphone clamp thread

Technical Data

Acoustic principle	pressure gradient transducer
Frequency response	40–18,000 Hz
Pick-up pattern	cardioid
Rejection at 1 kHz at 180 degrees	>20dB
Sensitivity at 1kHz	2.0mV/Pa±2.5dB (= - 54dB mit 0dB=1V/Pa) (= - 74dB mit 0dB=1V/ubar) (USA)
Nominal impedance at 1kHz	350 Ω
Min. terminating impedance	1000 Ω
Magnetic field at 50 Hz	≤1µV/µT
Dimensions in inches	1.92 x 9.84
Weight	12.7oz



Optional Accessories

Table stand	MZT 100
Microphone clamp	MZQ 800
Foam windsheild	MZW 65Pro (velour foam), MZW 4032 (w/ ID color bands) MZW 5000 (w/ ID color bands) MZW 1

Architect's Specifications

Cardioid reporter's microphone, frequency response 40–18,000 Hz, sensitivity (free field, no load) 1.8 mV/Pa ± 2.5 dB at 1 kHz, nominal impedance 200 Ω, min. terminating impedance 200 Ω, dimensions 11.92 x 9.84 inches, weight approx. 12.7oz.