

## Pearl OM 16 Omni Directional Condenser Microphone

Pearl introduces a new omni directional microphone in small dimensions. The transformerless circuit requires 48V phantom power. The OM 16 achieves a very flat frequency response but with a boost from 5-12 kHz of 2,5-3dB (at 8 kHz). The OM 16 sounds very natural and uncoloured which makes it an excellent choice for capturing musical instruments and vocal performances. The microphones is finished in ED-lacquer "Piano Black".

### Accessories:

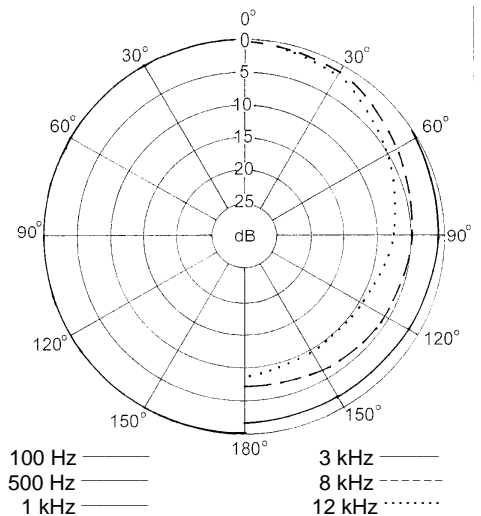
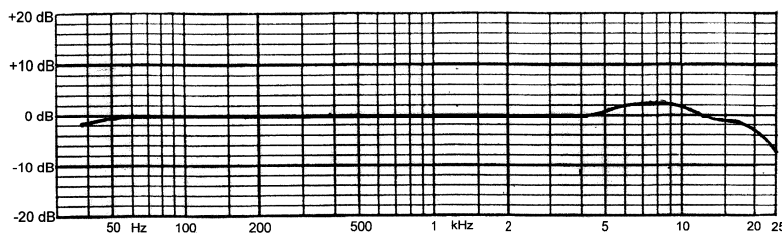
Shockmount 1918  
Clamp 1820

### **Specification:**

Polar pattern	Omni directional
Sensitivity:	20 mV/Pa
Frequency response:	20Hz-20 kHz
Min. rec. load imp:	1k ohms
Impedance:	100 ohms
Operating voltage:	48V phantom
Current consumption:	1,3 mA
Self Noise:	15 dBA
Max SPL:	132 dB
Dimensions:	Ø19x93 mm
Connector:	3 -pin XLR
Weight:	75 grams
Finish:	Black ED lacquer



1918



RoHS Compliant  
Directive 2002/95/EC