



Key Features:

- Dynamic Mic with Studio Detail and Clarity
- Cardioid Pattern with Excellent Off-Axis Rejection
- Unique Double Swivel-Mounted Design for Ideal Positioning
- Great for Voice and Instruments – Live or Studio
- Innovative Streamlined Design



General Description:

The Electro-Voice® Raven is a cardioid dynamic microphone designed to capture the character of both voice and instrument in live sound or studio applications. With a sculpted upper mid-range presence the Raven boasts condenser-like clarity. A streamlined modern design with eye catching retro styling, including raven black finish, nickel chrome detail and adjustable double swivel mount, visually sets the Raven apart from other microphones. The adjustable swivel mount provides exceptional results in many positions and situations making this microphone very versatile. The Raven has a cardioid polar pattern for great off axis rejection isolating the intended sound source and minimizing sound pickup from the rear of the microphone. Satisfying the demand for a dynamic microphone while providing the sonic definition of a condenser microphone make the Raven an excellent choice for many different applications.

Application Notes:

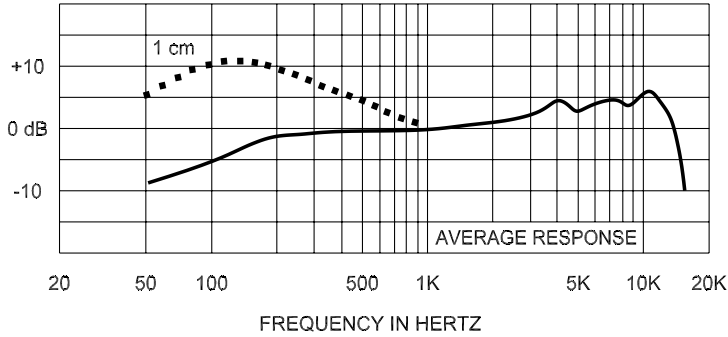
The low frequency response of the Raven microphone varies with the distance from the sound source. Known as “proximity effect,” maximum bass response is produced in “close-up” use with the microphone ¼ inch from the sound source. Normal bass response is experienced with working distances greater than 24 inches. Working close to the microphone will produce a more robust sound. Close up positioning of the microphone will also reduce the potential for feedback from the sound reinforcement system. When close-talked, the bass-boost provides an increase in overall microphone output level. The mixer gain may be proportionately reduced, resulting in a reduction of the system’s sensitivity to feedback caused by sound entering the microphone from the loudspeakers.

Technical Specifications:

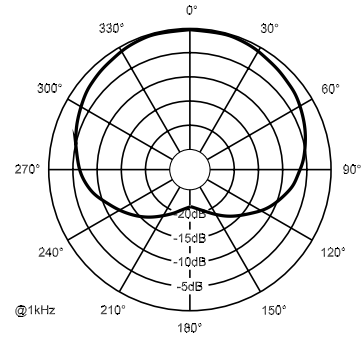
Generation Element:	Dynamic
Frequency Response:	45 - 16,000 Hz
Polar Pattern:	Cardioid
Sensitivity, Open Circuit Voltage, 1 kHz:	2.51mV/Pascal
Maximum SPL:	> 150dB
Polarity:	Positive pressure on diaphragm produces positive voltage on pin 2 relative to pin 3
Impedance:	335 ohms
Microphone Connector:	3-pin, XLR-type
Finish:	Black, Nickel Chrome
Dimensions:	Length = 3.65" (93mm) Width = 3.70" (94mm) Height = 5.33" (135mm)
Accessories Included:	Velvet carry bag, Hex wrench, Euro-thread adapter
Net Weight:	15.2 oz (431g)
Shipping Weight:	27.7 oz (785g)



Frequency Response:



Polar Response:



Microphone Use and Placement

Please note that micing techniques are a matter of personal preference. These are merely guidelines to assist in the placement of the microphone to gain optimal performance.

Usage

Vocals

Spoken Word

Optimal Placement

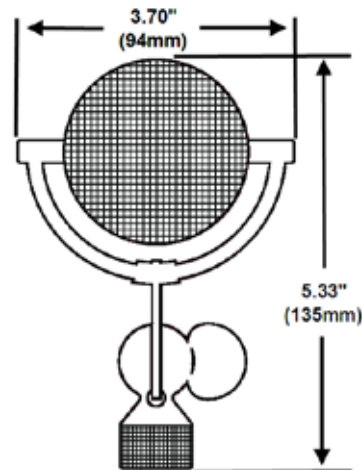
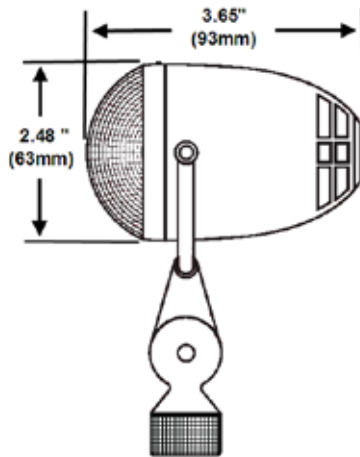
Zero to six inches from the windscreen, and on axis with the microphone.

Five to ten inches from the windscreen, and on axis with the microphone.

Standard Placement & Use Guidelines

1. Always point the microphone at the desired source of sound, and away from any unwanted sources.
2. The microphone should be located close to the sound source to minimize interference from other potential sound sources.
3. Use the 3-to-1 rule when using multiple microphones. Place each microphone three times farther from other microphones as from the desired sound source.
4. Minimize over-handling of the microphone to reduce unwanted mechanical noise.
5. Working close to the microphone will increase the bass tone and also provide increased gain-before-feedback.

Dimension Drawing:



Raven Part Number: 301857-000

Electro-Voice®

12000 Portland Avenue South, Burnsville, MN 55337
Phone: 952/884-4051, Fax: 952/884-0043

www.electrovoice.com

© Bosch Communications Systems

Part Number LIT000210 Rev A

02/2008



U.S.A. and Canada only. For customer orders, contact Customer Service at:

800/392-3497 Fax: 800/955-6831

Europe, Africa, and Middle East only. For customer orders, contact Customer Service at:

+ 49 9421-706 0 Fax: + 49 9421-706 265

Other International locations. For customer orders, Contact Customer Service at:

+ 1 952 884-4051 Fax: + 1 952 887-9212

For warranty repair or service information, contact the Service Repair department at:

800/685-2606

For technical assistance, contact Technical Support at: **866/78AUDIO**

Specifications subject to change without notice.