

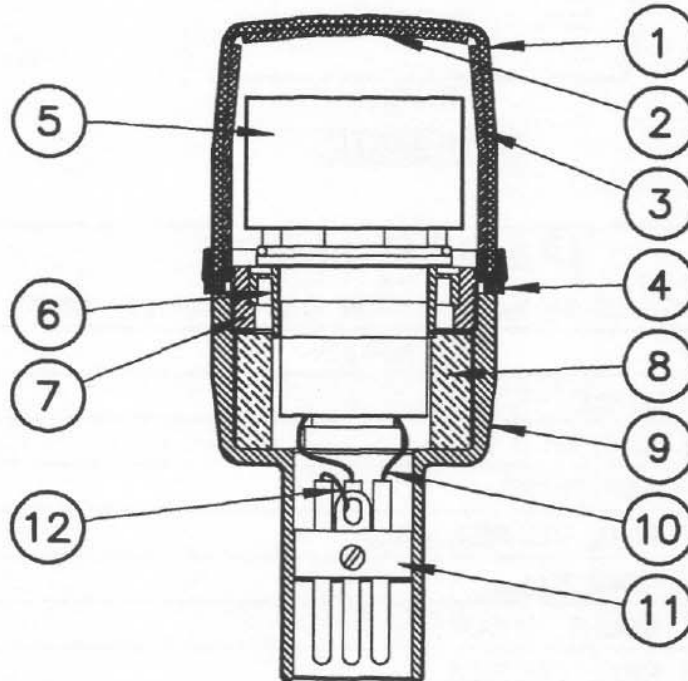


Electro-Voice®

Telex Communications, Inc.
600 Cecil Street
Buchanan, Michigan 49107
Phone: 616-695-6831
FAX: 616-695-4743

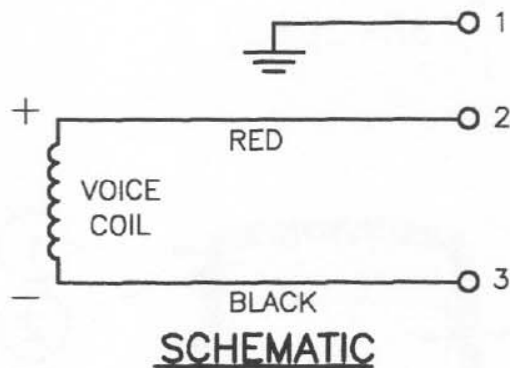
SERVICE DATA

N/D168 (168-2985)



ASSEMBLY INSTRUCTIONS:

1. SOLDER BLACK WIRE OF ITEM 10 TO CODED TERMINAL OF ITEM 5. SOLDER RED WIRE TO REMAINING TERMINAL. NOTE: WIRES MUST PASS UNDER WIRE CLIP OF ITEM 5.
2. ASSEMBLE ITEM 6 ONTO ITEM 5 AS SHOWN USING ADHESIVE EV#97176 (BLUE BARKER). NOTE THAT WIRES ARE ROUTED THROUGH SLOTS IN ITEM 5. TOP OF ITEM 6 MUST REST AGAINST SHOULDER OF ITEM 5.
3. ATTACH ITEM 6 TO ITEM 7 RING USING ADHESIVE, EV#97176, AS SHOWN. NOTE THAT ITEM 5 MUST BE SQUARE AND TRUE WITH RESPECT TO ITEM 9, HOUSING.



PARTS LIST

QUANTITIES SHOWN ARE FOR ONE COMPLETE UNIT

ITEM	PART NO'S	QTY.	DESCRIPTION
1	84542-ET	1	SCREEN S/A
2	70150	1	DISC, ϕ 1.3 FOAM
3	73695	1	POP FILTER
4	73691	1	RING, BUMPER, GOLD
5	83356	1	HEAD S/A
6	71920	1	MOUNT, SHOCK
7	73693-AY	1	RING, COUPLER
8	73696	1	RING, RESTRICTION
9	A73692	1	HOUSING, REAR PAD, PRINTED
10	16302	1	WIRE, #32, 3 COND, COPPER, 5.0" LONG
11	17303	1	INSERT, CONNECTOR, A3M, 3 PIN, SWITCHCRAFT 5C1378
12	16061	1	WIRE, #22, SOLID CU, BARE TINNED, .5" LONG
	84543	1	CLAMP S/A (NOT SHOWN)
	73740	1	GIG BAG (NOT SHOWN)
	A84975	1	CASE SYSTEM, N/D168, PAD PRINTED (ITEMS 1, 7 & 9 COMBINED)